

ADAPTER

OVERVIEW



QM 5 (37 g)
IS-203-F



QM 9 (50 g)
IS-203-R



QM 12 (30 g)
IS-160-R
IS-180-F



QM 44 (37 g)
PM 180-203



QM 45 G (20 g)
PM 180-220



QM 46 G (10,5 g)
PM 203-220



QM 40 (39 g)
PM 160-180
PM 140-160
PM 200-220



QM 41 (37 g)
IS-180-R



QM 42 (34 g)
PM 160-203



QM 43 (30 g)
IS-160-F



QM 50 (11 g)
FM 140/160-160F
FM 160/180-180F



QM 51 (10 g)
FM 140/160-160R
FM 160/180-180R

ABS ADAPTER



QM 52 (10 g)
FM 160/160-160F



Spacer (1,5 mm)
PM 200-203
PM direct mount
Ø 200 mm (RockShox ZEB)



QM 44 WSS (24 g)
PM + 23 mm



QM 40 WSS (18 g)
PM + 20 mm



QM 41 WSS (28 g)
IS-180-R



QM 42 WSS G (35,5 g)
PM 160-203

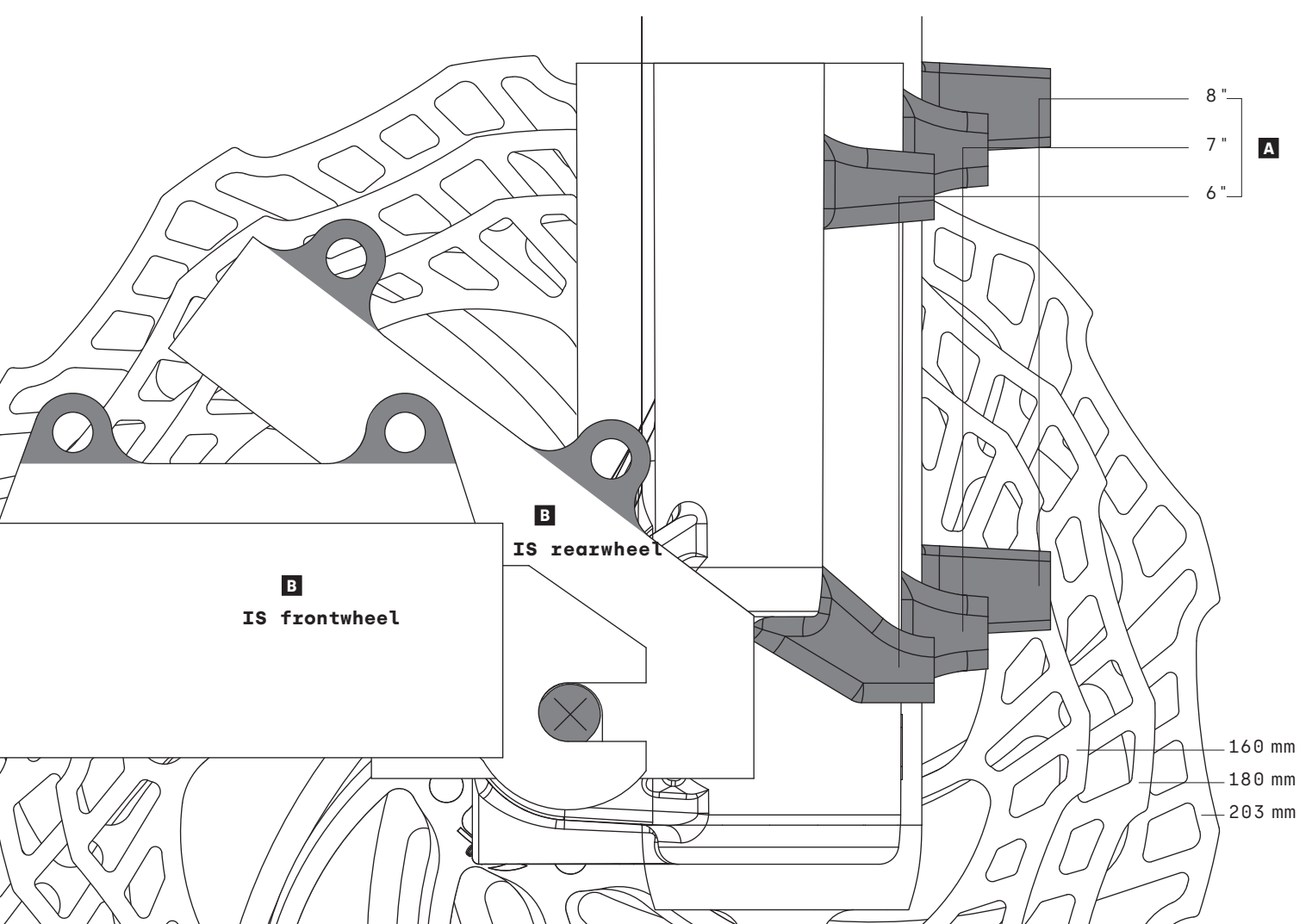


QM 45 WSS (33 g)
PM + 40 mm



QM 9 WSS (65,5 g)
IS 160-203 R

Rotor diameter	Ø 160 mm	Order No.	Ø 180 mm	Order No.	Ø 203 mm	Order No.	Ø 220 mm	Order No.
Fork								
PM 160 (PM 6")	direct		QM 40	2 700 515	QM 42	2 700 517		
PM 160 (PM 6") ABS			QM 40 WSS	2 701 636	QM 42 WSS G	2 703 095		
PM 180 (PM 7")			direct		QM 44	2 701 967	QM 45 G	2 703 096
PM 180 (PM 7") ABS					QM 44 WSS	2 702 932	QM 45 WSS	2 702 699
PM 200 (PM 8")					Spacer 1,5 mm	2 702 538	QM 40	2 700 515
PM 203 (PM 8")					direct		QM 46 G	2 703 094
PM 220							direct	
IS	QM 43	2 700 518	QM 12	0 722 426	QM 5	0 722 321		
FM-F140/160	QM 50	2 701 598						
FM-F160/180	QM 52	2 702 055	QM 50	2 701 598				
Frame								
PM 140 (PM 5")	QM 40	2 700 515	QM 45	2 701 940				
PM 160 (PM 6")	direct		QM 40	2 700 515	QM 42	2 700 517		
PM 160 (PM 6") ABS			QM 40 WSS	2 701 636	QM 42 WSS G	2 703 095		
PM 180 (PM 7")			direct		QM 44	2 701 967	QM 45 G	2 703 096
PM 180 (PM 7") ABS					QM 44 WSS	2 702 932	QM 45 WSS	2 702 699
PM 200 (PM 8")					Spacer 1,5 mm	2 702 538	QM 40	2 700 515
PM 203 (PM 8")					direct		QM 46 G	2 703 094
PM 220							direct	
IS	QM 12	0 722 426	QM 41	2 700 516	QM 9	0 722 325		
IS ABS			QM 41 WSS	2 701 635	QM 9 WSS	2 703 150		
FM-R140/160	QM 51	2 701 600						
FM-R160/180	direct		QM 51	2 701 600				



MAGURA Mounting Guide

Please note

To use this chart align the Centre point X with the centre of the dropout of the fork or frame and rotate until the drawing of the appropriate mount aligns with the one on the frame or fork of the bike in question.

Post Mount versions

A. PM, 74 mm centre to centre

Found on almost all newer fork models and many frame mounts it comes in 3 main sizes, (shown), 6" where the caliper fits directly to fit a 160 mm rotor. 7" where the caliper fits directly for use with a 180 mm rotor & 8" where the caliper fits directly for use with a 203 mm rotor. These sizes are without an adaptor. Variation. PM 5" frame mounts that fit with 140 mm rotors are also used on some cross country frames.

» All PM mounting sizes fit to standard PM calipers.

International standard versions

B. IS 6", 51 mm centre to centre

Used as the standard mounting size for almost all forks and frames between 1999 and 2008 (except Manitou). IS front and rear wheel are different.

C. IS 8" (nur IS Vorderrad), 51 mm centre to centre

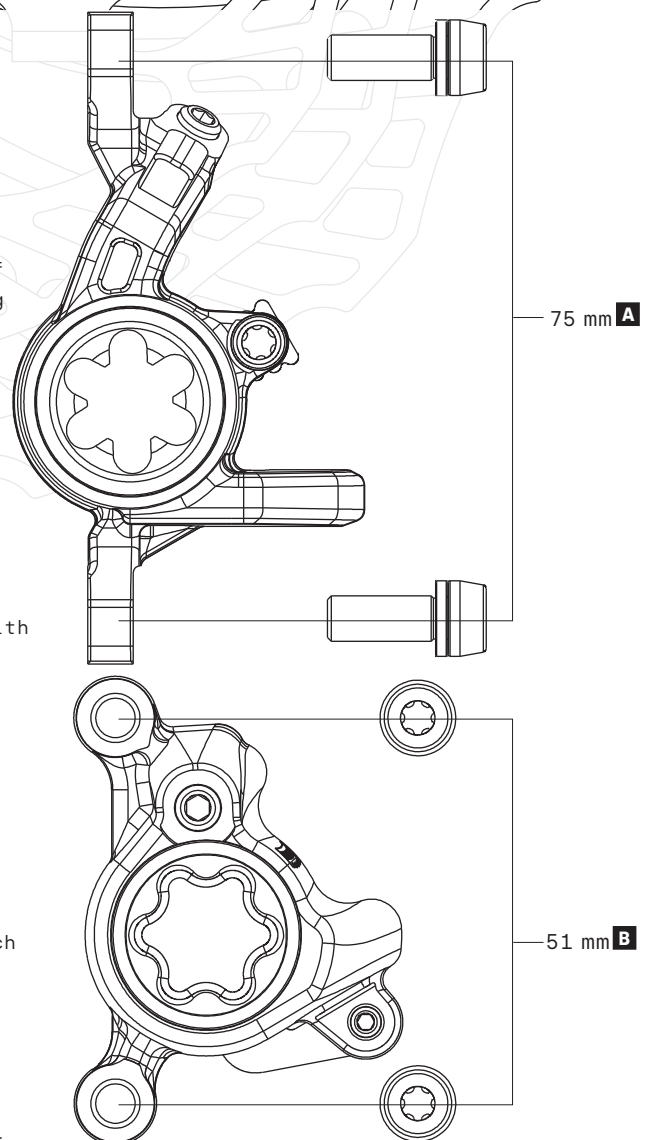
Used up until a few years ago on some DH forks and frames such as Marzocchi Monster, 888 and Fox 40.

» IS 8" fits to all standard IS calipers with 203 mm rotor.

D. RockShox Boxxer (IS front wheel), 51 mm centre to centre

Similar to IS 8" this size was used almost only on the RockShox Boxxer fork up until 2010.

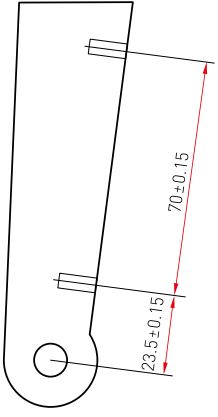
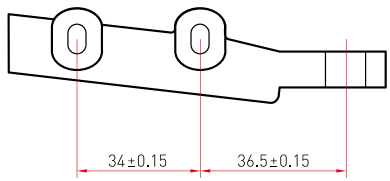
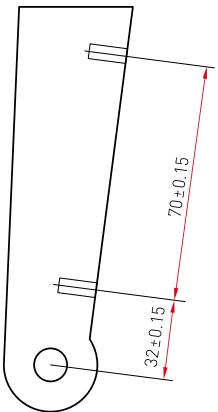
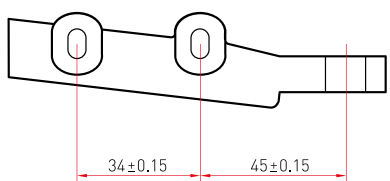
» RS Boxxer mount fits only with special adaptor or caliper.



ADAPTER

OVERVIEW

MAGURA FLAT MOUNT ADAPTER COMPATIBILITY

	Fozk	Rotor	MAGURA Adapter	Frame	Rotor	MAGURA Adapter
F140/160		140 mm	QM 52		140 mm	direct
		160 mm	QM 50		160 mm	QM 51
F160/180		160 mm	QM 52		160 mm	direct
		180 mm	QM 50		180 mm	QM 51